





 **ENGINEERING CODE**  
513300348


 **APPROVED REFRIGERANT**  
R-134a


 **POWER SUPPLY**  
200-240 V 50 Hz

 **STANDARD CONDITIONS**  
ASHRAE

 **APPLICATION**  
LBP

 **COOLING CAPACITY**  
213 W (LBP)

 **EFFICIENCY**  
1.36 W/W (LBP)

 **MOTOR TYPE**  
RSCR

 **STARTING TORQUE**  
LST

DATA

## General Data

Type	Hermetic reciprocating
Technology Type	On-Off
Displacement	6.99 cm <sup>3</sup>
Compressor Cooling	Static/Controlled/220
Expansion Device	Capillary Tube
Power Supply	200-240 V 50 Hz 1~
Evaporating Temperature Range	-35 °C to -10 °C

## Electrical Data

Motor type	RSCR
Starting Torque	LST
Locked Rotor Amperage (LRA)	26.7 A
Rated Load Amperage (RLA) at 60 Hz	3 A

## Mechanical Data

Oil Charge	180 ml
Oil Type Configuration	ESTER
Oil Type Viscosity	ISO22
Weight	7.86 Kg

## Electrical Components

	Description
Run Capacitor	5
Starting Device	PTC   8EA17B3
Motor Protection	4TM276NFBYY-53

## External Characteristics

Tray Holder	No	
Connector	Internal Diameter	Shape
Suction	6.5 mm	Slanted 40° up + 45° to Back/Copper
Discharge	4.9 mm	Slanted 0° up + 24° to Back/Copper
Process	6.5 mm	Slanted 40° up + 45° to Back/Copper

## PERFORMANCE

### Rated Points

Condensing Temperature	Evaporating Temperature	Cooling Capacity	Power Consumption	Current	Gas Flow Rate	Efficiency
54.40°C	-23.30°C	213 W	156 W	0.99 A	4.13 kg/h	1.36 W/W

Test Condition: ASHRAELBP32, Static/Controlled/220, Return Gas 32.2°C, Evaporation -23.30°C, Condensing 54.40°C, Ambient 32.2°C, Liquid 32.2°C, Subcooling 22.2K. Data in accordance to EN

12900:2013 and AHRI 540:2015 polynomial equation and uncertainty guidance.

### Performance Curve Data

Condensing Temperature 35°C

Evaporating Temperature °C	Cooling Capacity W	Power W	Current A	Gas Flow Rate kg/h	Efficiency W/W
-35	124	111	0.88	2.40	1.12
-30	166	124	0.9	3.21	1.34
-25	219	137	0.93	4.24	1.59
-20	283	152	0.97	5.50	1.86
-15	359	167	1.02	7.00	2.14
-10	448	184	1.08	8.77	2.44

Test Condition: ASHRAELBP32, Static/Controlled/220, Return Gas 32.2°C, Ambient 32.2°C, Liquid 32.2°C. Data in accordance to EN 12900:2013 and AHRI 540:2015 polynomial equation and

uncertainty guidance.

### Condensing Temperature 45°C

Evaporating Temperature °C	Cooling Capacity W	Power W	Current A	Gas Flow Rate kg/h	Efficiency W/W
-35	117	114	0.88	2.27	1.03
-30	156	129	0.91	3.01	1.21
-25	205	146	0.95	3.98	1.41
-20	267	164	1	5.19	1.63
-15	342	183	1.06	6.67	1.88
-10	431	203	1.13	8.43	2.13

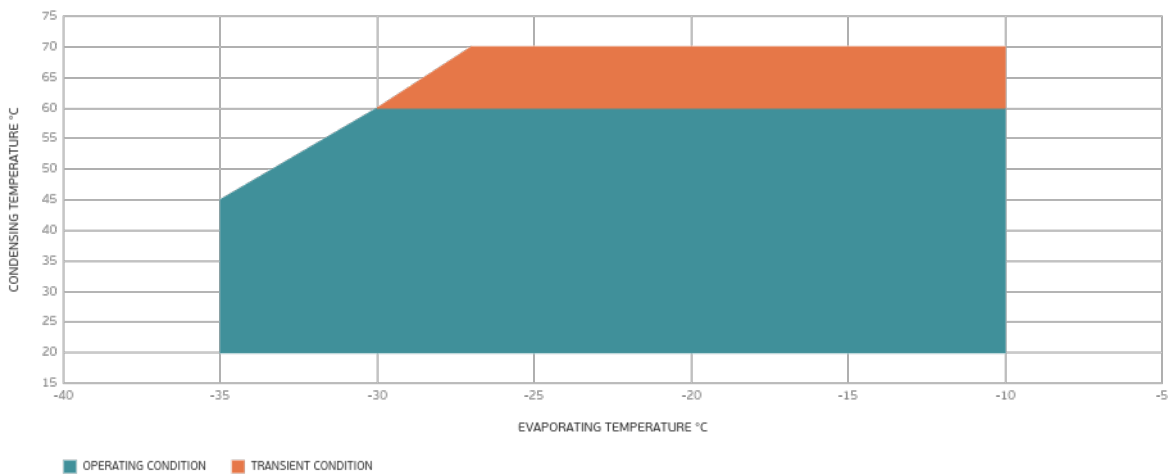
Test Condition: ASHRAELBP32, Static/Controlled/220, Return Gas 32.2°C, Ambient 32.2°C, Liquid 32.2°C. Data in accordance to EN 12900:2013 and AHRI 540:2015 polynomial equation and uncertainty guidance.

### Condensing Temperature 55°C

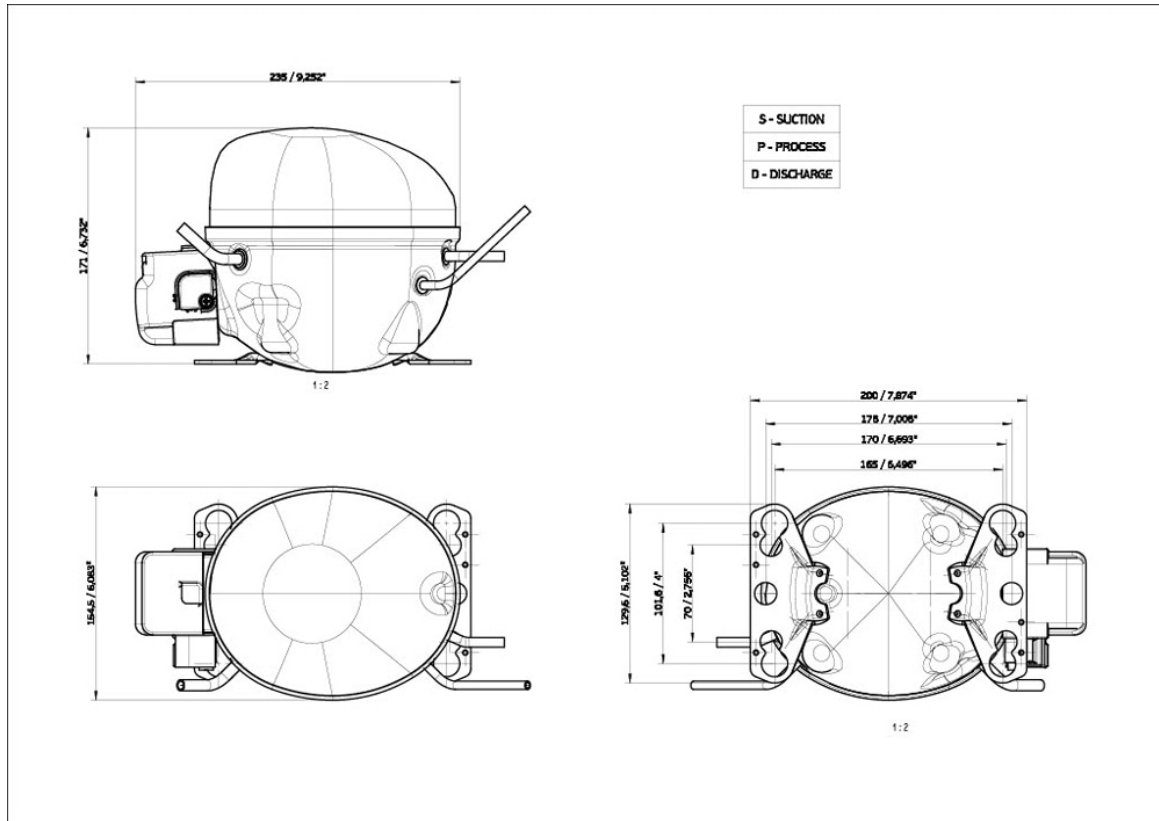
Evaporating Temperature °C	Cooling Capacity W	Power W	Current A	Gas Flow Rate kg/h	Efficiency W/W
-35	115	113	0.89	2.23	1.02
-30	149	131	0.92	2.87	1.14
-25	194	150	0.97	3.76	1.29
-20	252	171	1.03	4.90	1.48
-15	324	193	1.1	6.33	1.68
-10	412	216	1.18	8.05	1.9

Test Condition: ASHRAELBP32, Static/Controlled/220, Return Gas 32.2°C, Ambient 32.2°C, Liquid 32.2°C. Data in accordance to EN 12900:2013 and AHRI 540:2015 polynomial equation and uncertainty guidance.

### Operating Envelope



## External Dimensions



## Wiring Diagram

